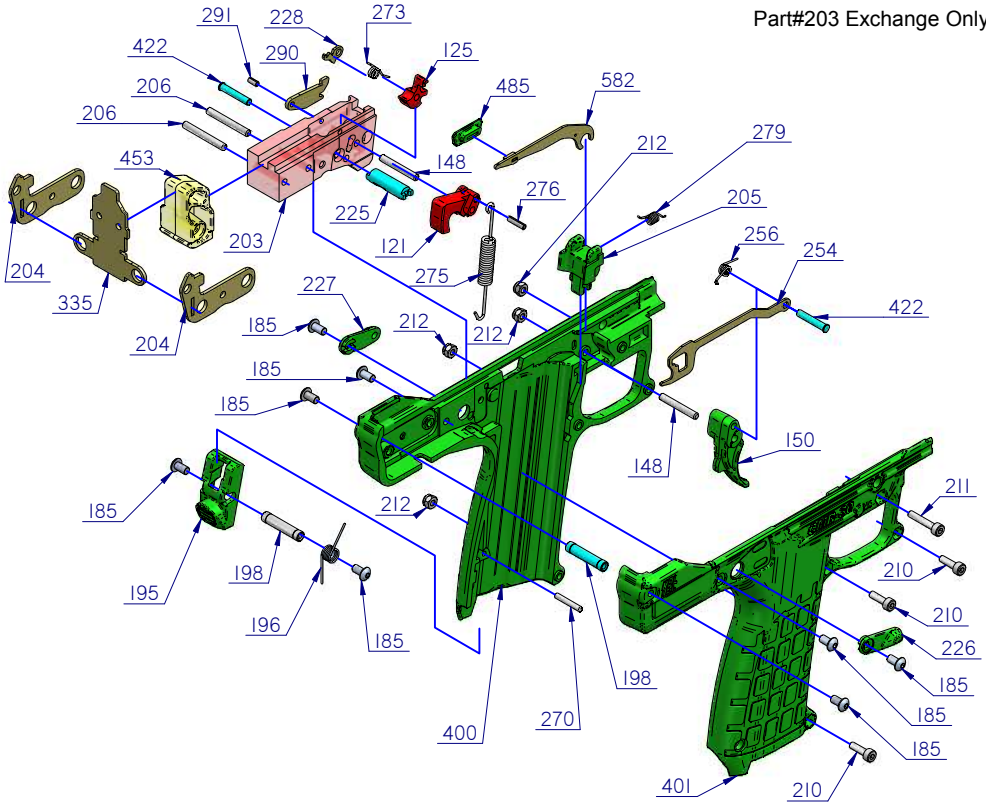


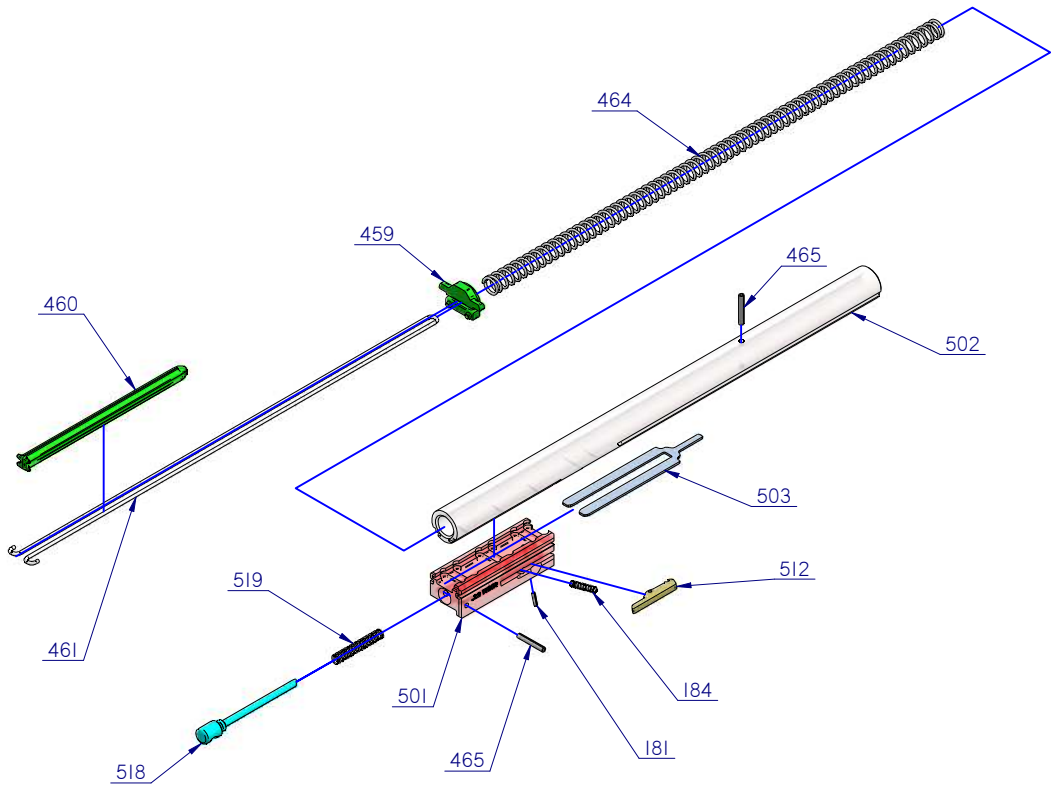
CMR-30-1603 GRIP AND FRAME ASSEMBLY

Part#203 Exchange Only



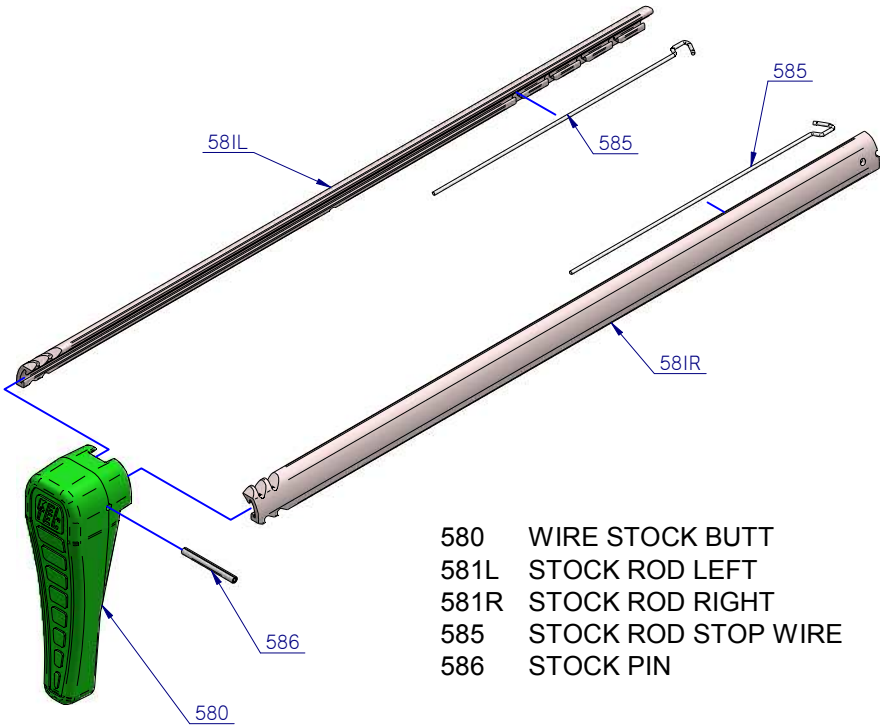
- | | | | |
|-----|-----------------------|-----|---------------------|
| 121 | HAMMER | 228 | SAFETY SNAP |
| 125 | SEAR | 254 | TRIGGER BAR |
| 148 | TRIGGER / HAMMER AXIS | 256 | TRIGGER SPRING |
| 150 | TRIGGER | 270 | HAMMER SPRING CATCH |
| 185 | 6-32 BHCS | 273 | SEAR SPRING |
| 195 | MAG CATCH | 275 | HAMMER SPRING |
| 196 | MAG CATCH SPRING | 276 | HAMMER SPRING PIN |
| 198 | MAG CATCH AXIS | 279 | SLIDE STOP SPRING |
| 203 | FRAME | 290 | BOLT CATCH |
| 204 | FRAME SIDE SUPPORT | 335 | BACK PLATE |
| 205 | FEEDRAMP | 400 | GRIP LEFT |
| 206 | FRAME PIN | 401 | GRIP RIGHT |
| 210 | M3-10 SOCKET HEAD | 422 | SEAR AXIS |
| 211 | M3-16 SOCKET HEAD | 453 | BUFFER |
| 212 | M3 NUT | 485 | SLIDE STOP BUTTON |
| 225 | SAFETY | 582 | SLIDE STOP WELDMENT |
| 226 | SAFETY LEVER RIGHT | | |
| 227 | SAFETY LEVER LEFT | | |

CMR-30-1501 BOLT ASSEMBLY



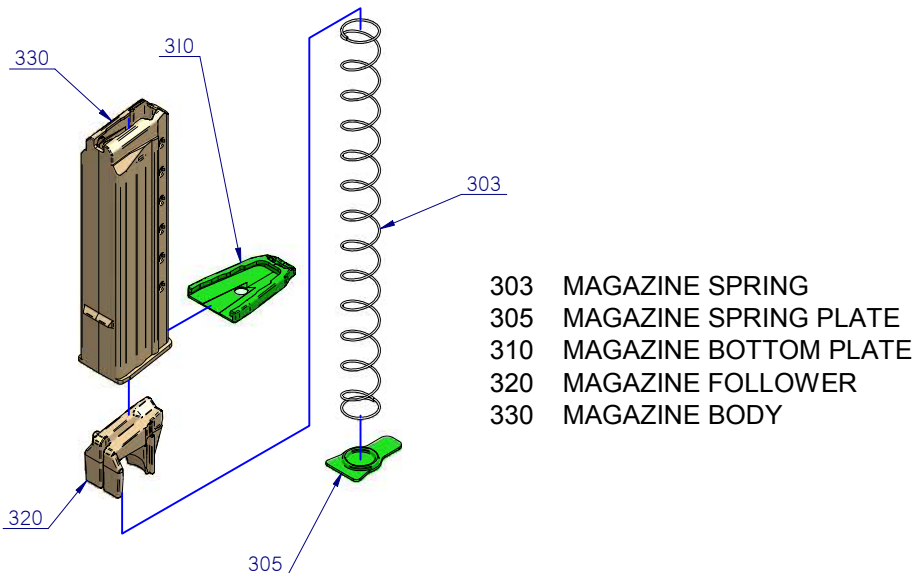
- 181 EXTRACTOR AXIS
- 184 EXTRACTOR SPRING
- 459 RECOIL SPRING CATCH
- 460 RECOIL SPRING GUIDE ROD
- 461 RECOIL SPRING GUIDE EXTENSION
- 464 RECOIL SPRING
- 465 FIRING PIN PIN/RECOIL SPRING PIN
- 501 BOLT BLOCK
- 502 BOLT TOP ROD
- 503 BOLT BLOCK LOCK
- 512 EXTRACTOR
- 518 FIRING PIN
- 519 FIRING PIN SPRING

CMR-30-1580 STOCK ASSEMBLY



REV1412

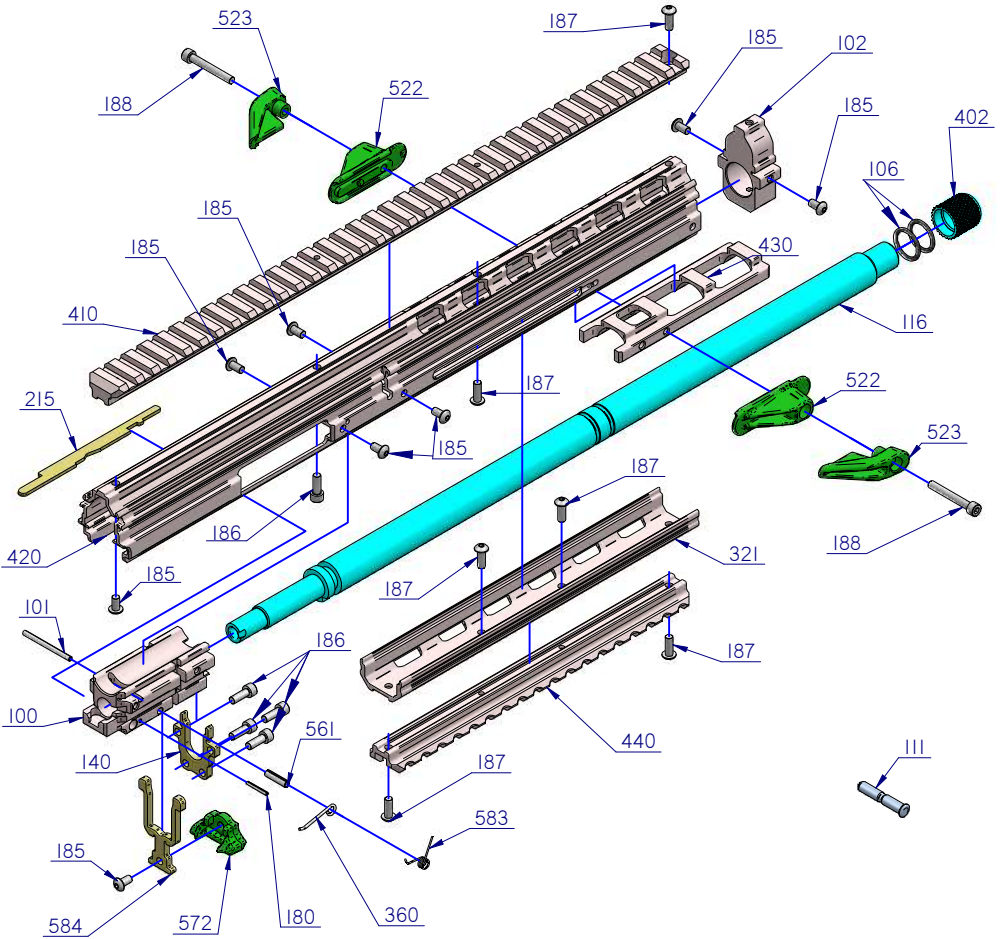
PMR-30-1330 MAGAZINE ASSEMBLY



REV1412

CMR-30-1116 BARREL 16" ASSEMBLY

Part#111 NOT PART OF ASSEMBLY



- | | | | |
|-----|------------------------|-----|-------------------------|
| 100 | BARREL TRUNNION | 321 | EXTRUDED BOTTOM COVER |
| 101 | TRUNNION PIN | 360 | ASSEMBLY PIN CATCH |
| 102 | BARREL BLOCK | 402 | BARREL THREAD PROTECTOR |
| 106 | BARREL O-RING | 410 | TOP RAIL |
| 111 | ASSEMBLY PIN | 420 | EXTRUDED TOP COVER |
| 116 | BARREL 16 | 430 | OPERATING HANDLE CATCH |
| 140 | BARREL CLAMP PLATE | 440 | BOTTOM RAIL |
| 180 | ASSEMBLY PIN CATCH PIN | 522 | OPERATING HANDLE |
| 185 | 6-32 BHCS | 523 | OP HANDLE EXTENSION |
| 186 | 6-32 BOLT | 561 | STOCK LATCH SPRING AXIS |
| 187 | LONG 6-32 BHCS | 572 | STOCK LATCH BUTTON |
| 188 | LONG 6-32 BOLT | 583 | STOCK LATCH SPRING |
| 215 | EJECTOR | 584 | STOCK LOCK |