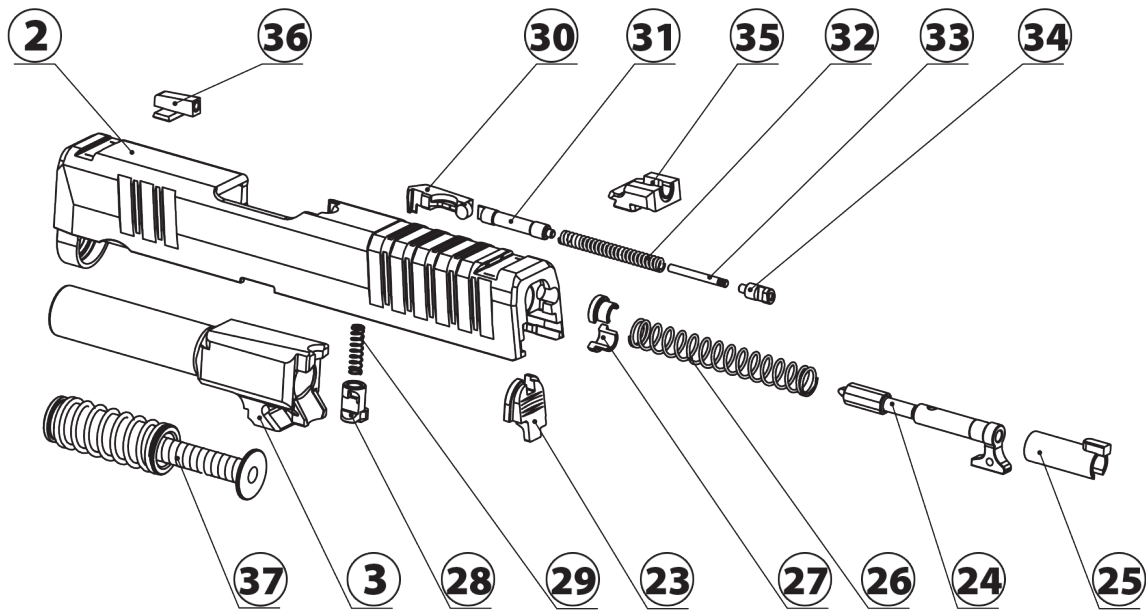


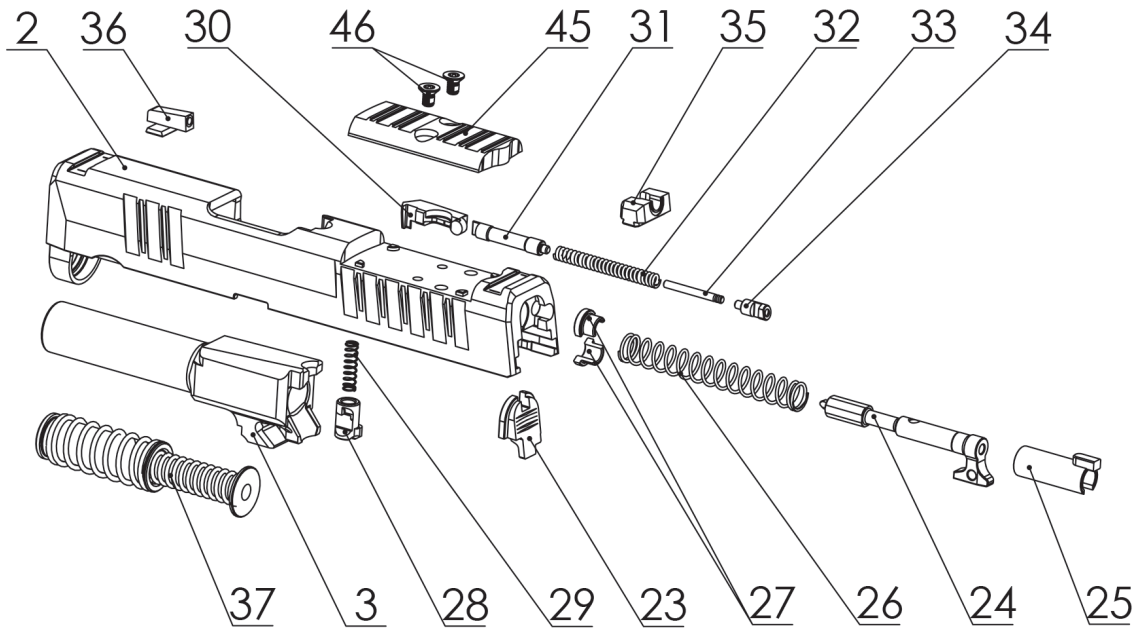
# SLIDE PARTS LIST

- |    |                         |    |                        |
|----|-------------------------|----|------------------------|
| 2  | Slide                   | 30 | Extractor              |
| 3  | Barrel                  | 31 | Extractor Pin          |
| 23 | Striker Locking Plate   | 32 | Extractor Spring       |
| 24 | Striker                 | 33 | Extractor Spring Pin   |
| 25 | Striker Guide           | 34 | Extractor Spring Plate |
| 26 | Striker Spring          | 35 | Rear Sight             |
| 27 | Striker Spring Retainer | 36 | Front Sight            |
| 28 | Striker Pin Safety      | 37 | Recoil Spring Assembly |
| 29 | Striker Safety Spring   |    |                        |



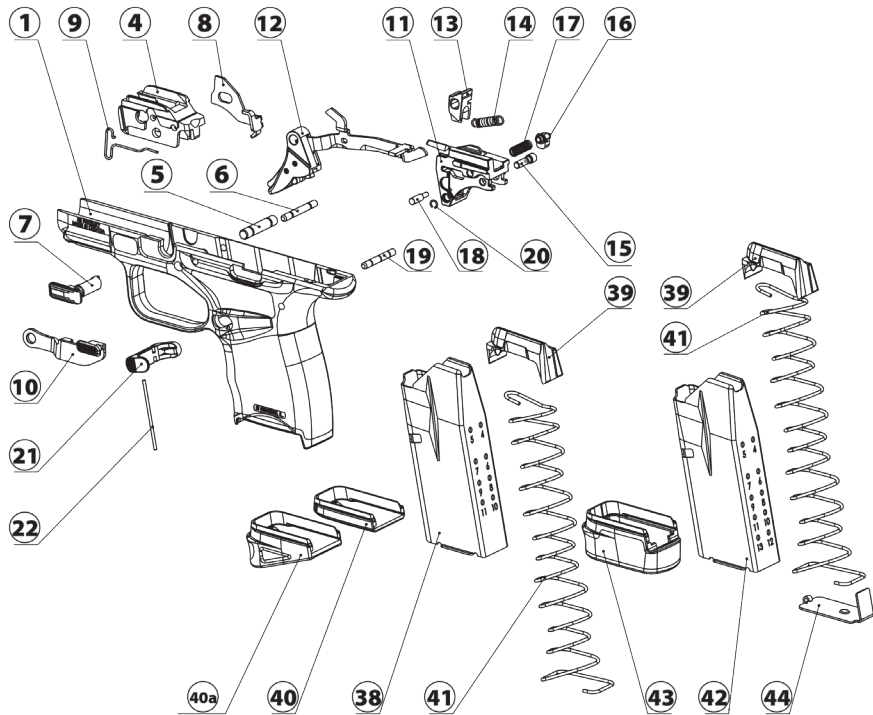
# OSP™ SLIDE PARTS LIST

- |    |                         |    |                        |
|----|-------------------------|----|------------------------|
| 2  | OSP Slide               | 31 | Extractor Pin          |
| 3  | Barrel                  | 32 | Extractor Spring       |
| 23 | Striker Locking Plate   | 33 | Extractor Spring Pin   |
| 24 | Striker                 | 34 | Extractor Spring Plate |
| 25 | Striker Guide           | 35 | OSP Rear Sight         |
| 26 | Striker Spring          | 36 | Front Sight            |
| 27 | Striker Spring Retainer | 37 | Recoil Spring Assembly |
| 28 | Striker Pin Safety      | 45 | OSP Plate              |
| 29 | Striker Safety Spring   | 46 | OSP Screw              |
| 30 | Extractor               |    |                        |



# FRAME PARTS LIST

- |    |                         |    |                         |     |                          |
|----|-------------------------|----|-------------------------|-----|--------------------------|
| 1  | Frame                   | 13 | Sear                    | 38  | Magazine Body - 11 Round |
| 4  | Locking Block           | 14 | Sear Spring             | 39  | Magazine Follower        |
| 5  | Trigger Pin             | 15 | Sear Spring Pin         | 40  | Magazine Base - 11 Round |
| 6  | Locking Block Pin       | 16 | Disconnecter            | 40a | Magazine Base - Extended |
| 7  | Disassembly Lever       | 17 | Disconnecter Spring     | 41  | Magazine Spring          |
| 8  | Magazine Blocking Lever | 18 | Disconnecter Pin        | 42  | Magazine Body - 13 Round |
| 9  | Slide Stop Lever Spring | 19 | Sear Housing Pin        | 43  | Magazine Base - 13 Round |
| 10 | Slide Stop Lever        | 20 | Sear Housing Pin Safety | 44  | Magazine Floor Plate     |
| 11 | Sear Housing            | 21 | Magazine Catch          |     |                          |
| 12 | Trigger Assembly        | 22 | Magazine Catch Spring   |     |                          |



# OSP™ FRAME PARTS LIST

- |    |                         |    |                         |     |                                   |
|----|-------------------------|----|-------------------------|-----|-----------------------------------|
| 1  | Frame                   | 13 | Sear                    | 38  | Magazine Body - 11 Round          |
| 4  | Locking Block           | 14 | Sear Spring             | 39  | Magazine Follower                 |
| 5  | Trigger Pin             | 15 | Sear Spring Pin         | 40  | Magazine Base - 11 Round          |
| 6  | Locking Block Pin       | 16 | Disconnecter            | 40a | Magazine Base - 11 Round Extended |
| 7  | Disassembly Lever       | 17 | Disconnecter Spring     | 41  | Magazine Spring                   |
| 8  | Magazine Blocking Lever | 18 | Disconnecter Pin        | 42  | Magazine Body - 13 Round          |
| 9  | Slide Stop Lever Spring | 19 | Sear Housing Pin        | 43  | Magazine Base - 13 Round          |
| 10 | Slide Stop Lever        | 20 | Sear Housing Pin Safety | 44  | Magazine Floor Plate              |
| 11 | Sear Housing            | 21 | Magazine Catch          |     |                                   |
| 12 | Trigger Assembly        | 22 | Magazine Catch Spring   |     |                                   |

