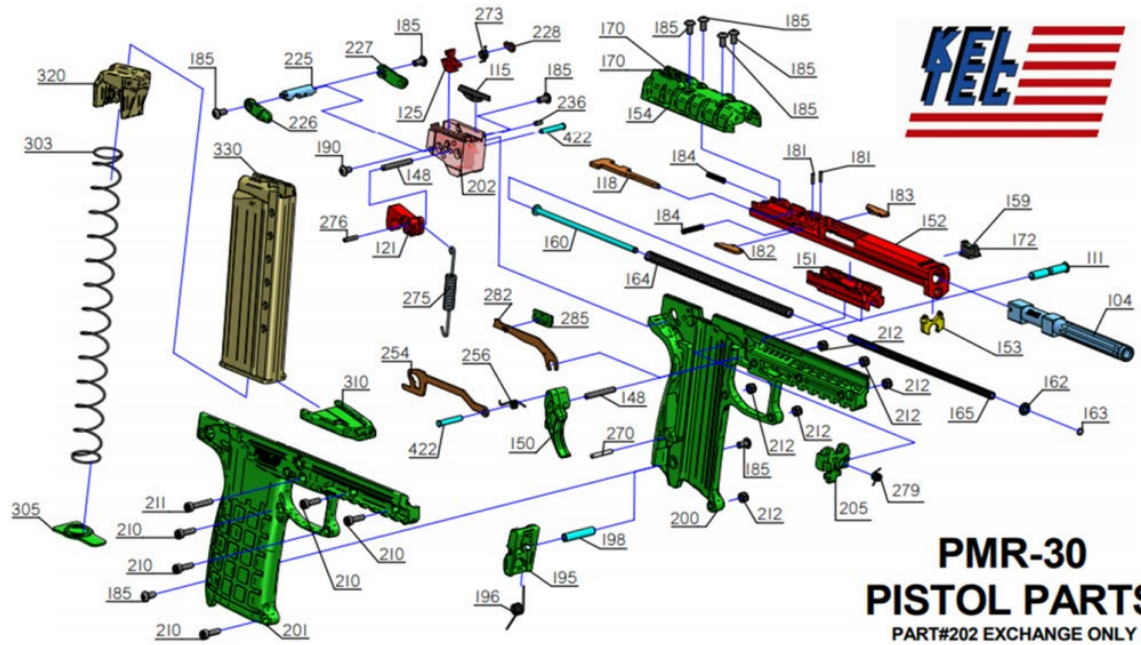
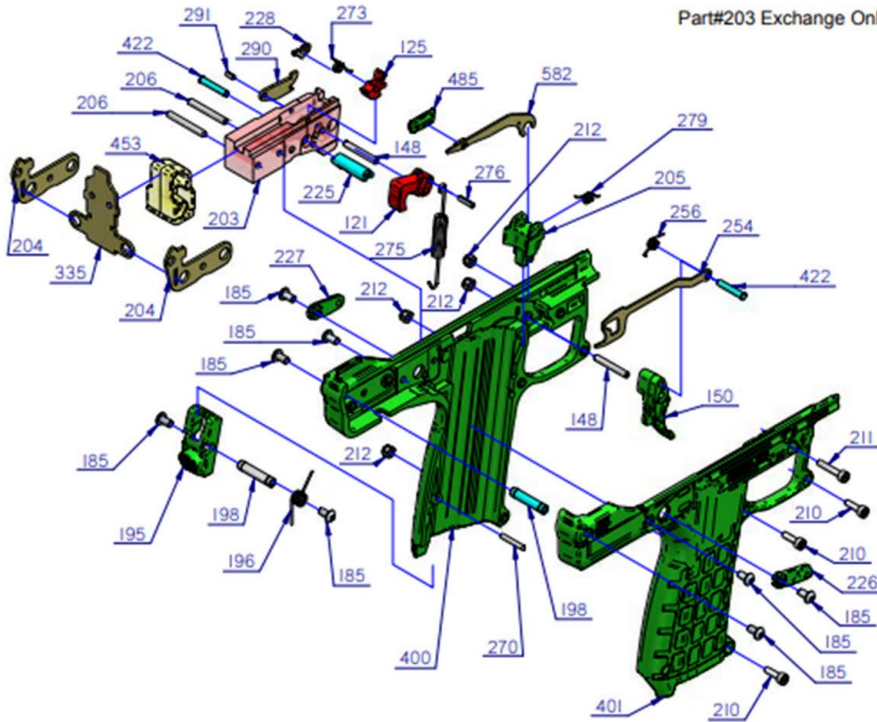


CMR-30-1603 GRIP AND FRAME ASSEMBLY

Part#203 Exchange Only



PMR-30 PISTOL PARTS

PART#202 EXCHANGE ONLY

- 121 HAMMER
- 125 SEAR
- 148 TRIGGER / HAMMER AXIS
- 150 TRIGGER
- 185 6-32 BHCS
- 195 MAG CATCH
- 196 MAG CATCH SPRING
- 198 MAG CATCH AXIS
- 203 FRAME
- 204 FRAME SIDE SUPPORT
- 205 FEEDRAMP
- 206 FRAME PIN
- 210 M3-10 SOCKET HEAD
- 211 M3-16 SOCKET HEAD
- 212 M3 NUT
- 225 SAFETY
- 226 SAFETY LEVER RIGHT
- 227 SAFETY LEVER LEFT
- 228 SAFETY SNAP
- 254 TRIGGER BAR
- 256 TRIGGER SPRING
- 270 HAMMER SPRING CATCH
- 273 SEAR SPRING
- 275 HAMMER SPRING
- 276 HAMMER SPRING PIN
- 279 SLIDE STOP SPRING
- 290 BOLT CATCH
- 291 BOLT CATCH PIN
- 335 BACK PLATE
- 400 GRIP LEFT
- 401 GRIP RIGHT
- 422 SEAR AXIS
- 453 BUFFER
- 485 SLIDE STOP BUTTON
- 582 SLIDE STOP WELDMENT

- 104 BARREL 4.3
- 111 ASSEMBLY PIN
- 115 EJECTOR
- 118 FIRING PIN
- 121 HAMMER
- 125 SEAR
- 148 TRIGGER AXIS
- 150 TRIGGER
- 151 BARREL BLOCK
- 152 SLIDE
- 153 BUFFER
- 154 SLIDE COVER
- 159 FIBER FRONT SIGHT
- 160 RECOIL SPRING GUIDE
- 162 RECOIL SPRING CATCH
- 163 RECOIL SPRING GUIDE LOCK RING
- 164 OUTER RECOIL SPRING
- 165 INNER RECOIL SPRING
- 170 REAR SIGHT FIBER
- 172 FRONT SIGHT FIBER
- 181 EXTRACTOR AXIS
- 182 EXTRACTOR RIGHT
- 183 EXTRACTOR LEFT
- 184 EXTRACTOR SPRING
- 185 SLIDE COVER SCREW
- 190 RECEIVER SCREW
- 195 MAG CATCH
- 196 MAG CATCH SPRING
- 198 MAG CATCH AXIS
- 200 GRIP LEFT
- 201 GRIP RIGHT
- 202 RECEIVER
- 205 FEEDRAMP
- 210 M3-10 SOCKET HEAD
- 211 M3-16 SOCKET HEAD
- 212 M3 NUT
- 225 SAFETY
- 226 SAFETY LEVER RIGHT
- 227 SAFETY LEVER LEFT
- 228 SAFETY SNAP
- 236 EJECTOR PIN
- 254 TRIGGER BAR
- 256 TRIGGER SPRING
- 270 HAMMER SPRING CATCH
- 273 SEAR SPRING
- 275 HAMMER SPRING
- 276 HAMMER SPRING PIN
- 279 SLIDE STOP SPRING
- 282 SLIDE STOP BRAZEMENT
- 285 SLIDE STOP BUTTON
- 227 MAGAZINE SPRING
- 303 MAGAZINE SPRING
- 305 MAGAZINE SPRING PLATE
- 310 MAGAZINE BOTTOM PLATE
- 320 MAGAZINE FOLLOWER
- 330 MAGAZINE BODY
- 422 SEAR AXIS

CMR-30

REV1412

PMR-30