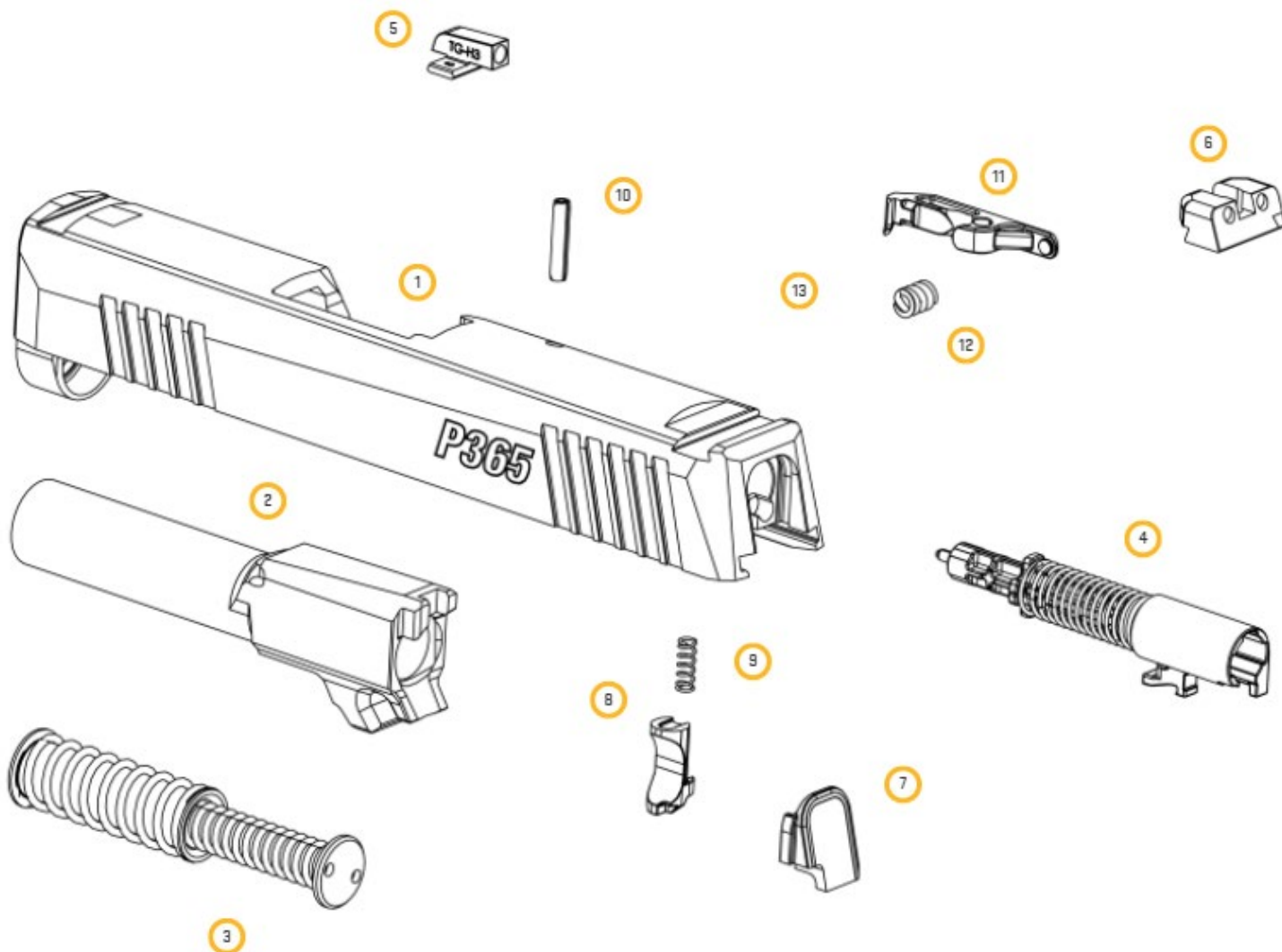
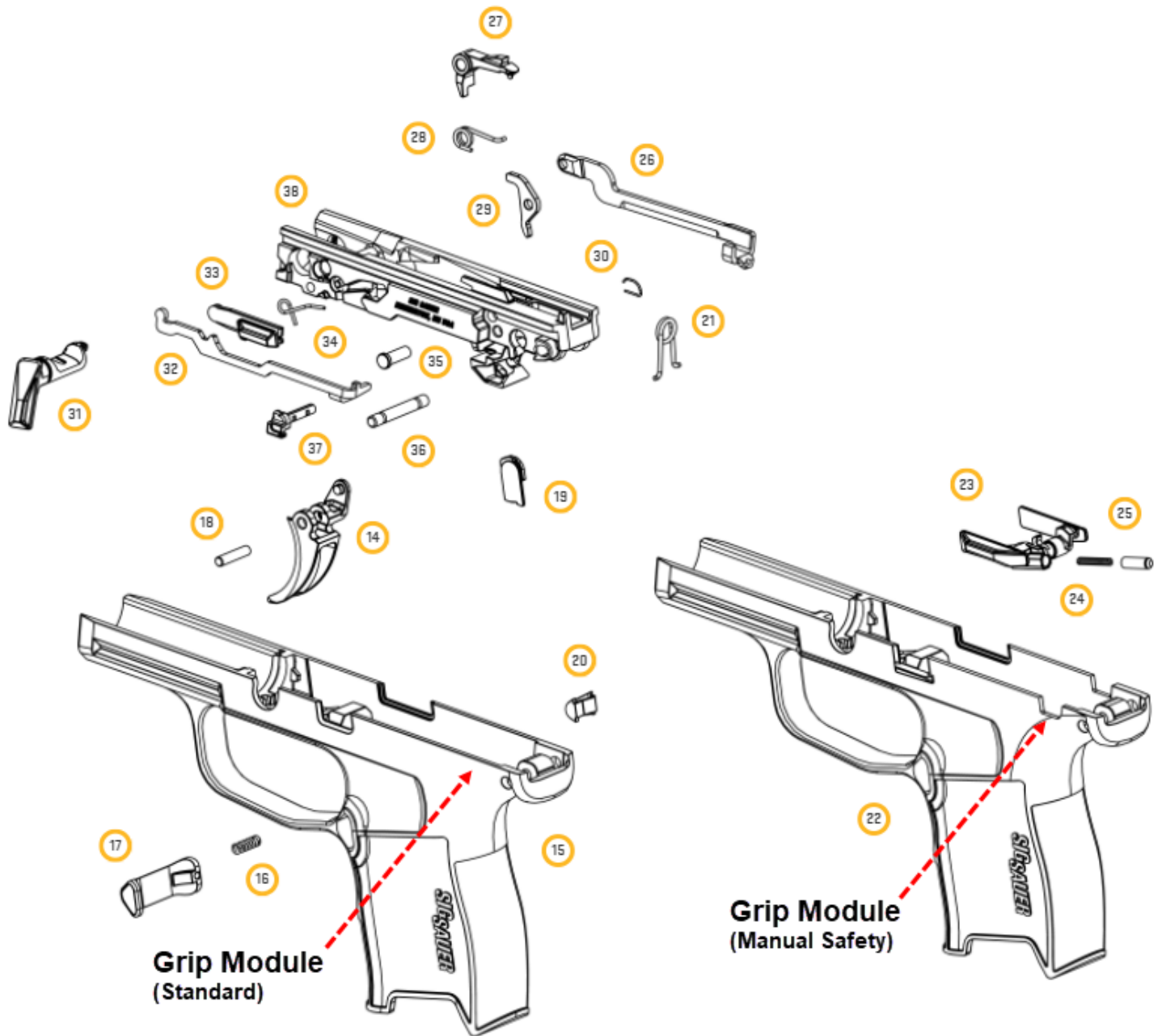


SIG P365 Exploded View



1. Slide
2. Barrel
3. Recoil Spring Guide Assembly
4. Striker Assembly
5. Front Sight
6. Rear Sight

7. Slide Cap
8. Striker Safety Lock
9. Striker Safety Spring
10. Extractor Pin
11. Extractor
12. Extractor Spring
13. Extractor Spring Insert



- 14. Trigger
- 15. Grip Module - Standard
- 16. Magazine Catch Spring
- 17. Magazine Catch
- 18. Trigger Pin
- 19. Disconnecter
- 20. Magazine Catch Stop
- 21. Trigger Bar Spring
- 22. Grip Module – Manual Safety
- 23. Manual Safety Lever
- 24. Manual Safety Lever Detent Spring
- 25. Manual Safety Detent

- 26. Trigger Bar
- 27. Sear
- 28. Sear Spring
- 29. Safety Lever
- 30. Receiver Retention Pin Spring
- 31. Take Down Lever
- 32. Takedown Safety Lever
- 33. Slide Catch Lever
- 34. Slide Catch Lever Spring
- 35. Sear Pin
- 36. Receiver Pin
- 37. Safety Lever Pin
- 38. Fire Control Unit