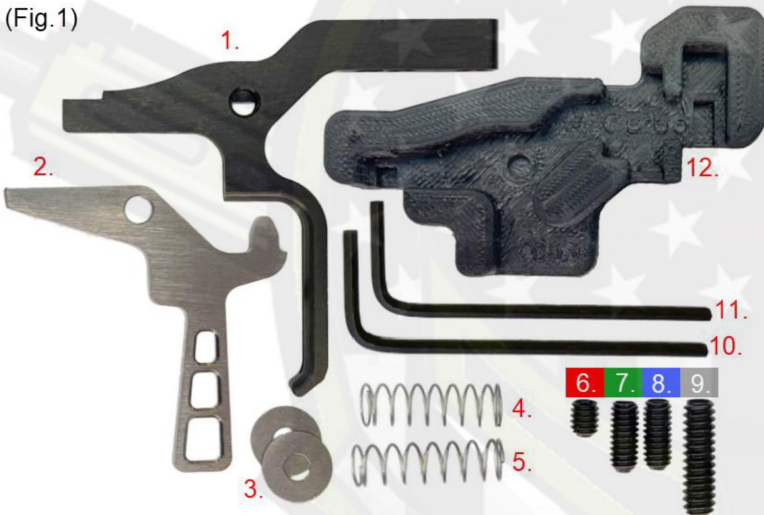


Exploded Components View

1. Flat Trigger
2. Safety Blade
3. Trigger Shims x 2
4. Trigger Return Spring
5. Safety Blade Spring
6. #8-32 x 3/16" Sear Set Screw
7. #8-32 x 3/8" Safety Blade Set Screw
8. #8-32 x 3/8" Safety Button Set Screw
9. #10-24 x 5/8" Over Travel Set Screw
10. 5/64" Hex Key
11. 3/32" Hex Key
12. Trigger Adjustment Fixture (3D Printed)

(Fig. 1)

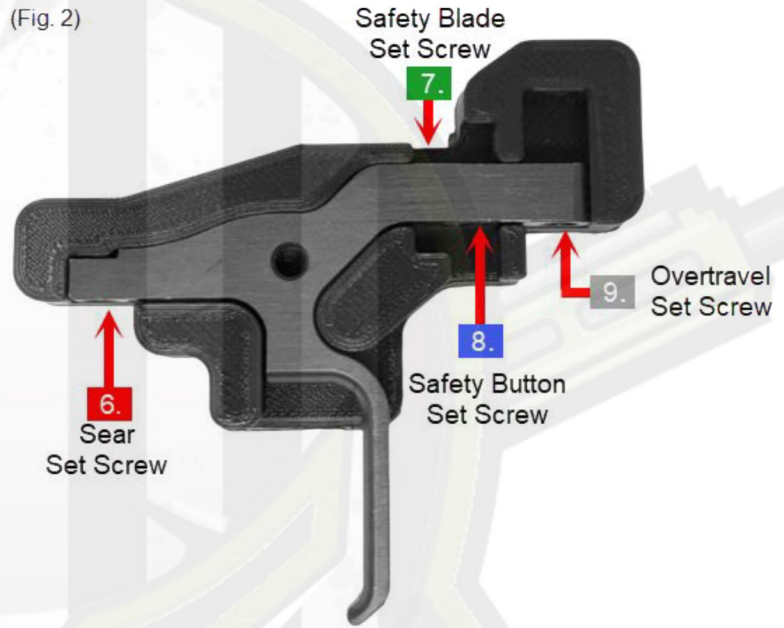


Page 1

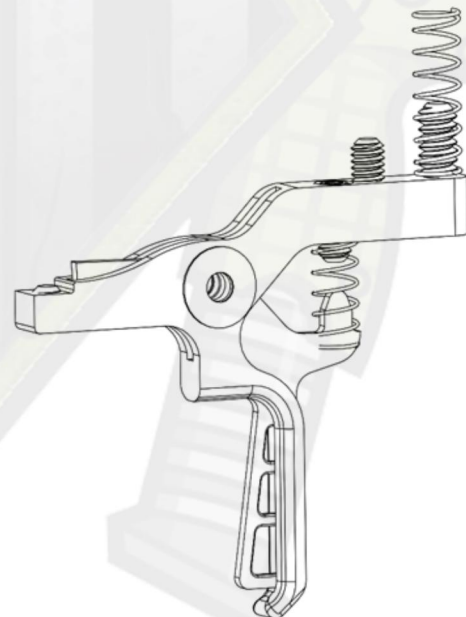
Step 1: Use Adjustment Fixture To Install Set Screws

Insert trigger into adjustment fixture. Apply Blue Loctite to the four set screws, *Ref. Pg. 1 Fig. 1*, as you install them one at a time. Thread all of the way through and stop when the screw touches the fixture on the other side. **Wipe away any excess Loctite.**

(Fig. 2)



Page 2



You must be 18 yrs of age to purchase. We advise that all parts purchased from our inventory be installed and inspected by a qualified gunsmith. Modifying your weapon may be prohibited in your state. Do not modify your sear or hammer engagement surfaces. Before installing please be sure to check all local state and federal laws. By installing this part you agree to take full responsibility for any and all legal, health and warranty consequences that may be incurred.

Savage Axis I & II Flat Trigger Installation Instructions

Step 2: Install Springs and Shims

- **Ensure the rifle is NOT loaded**
- Remove the barrel assembly from stock.

(2A.) Remove the factory trigger assembly, by removing the trigger retaining pin.

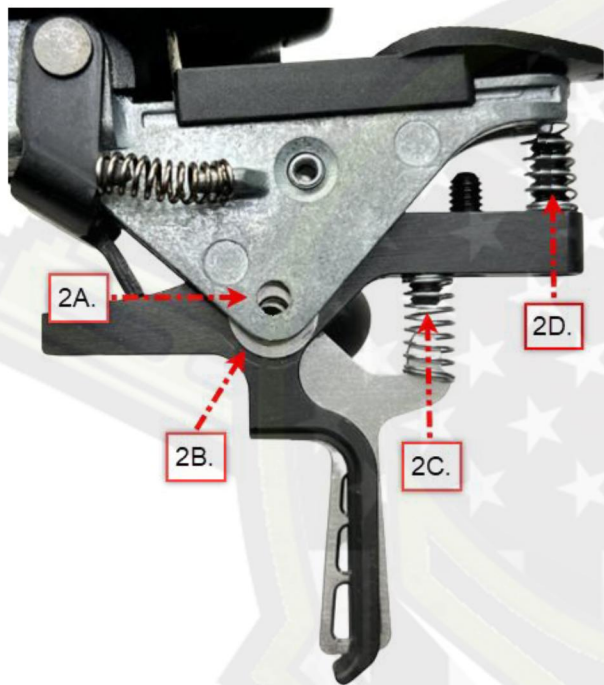
Note: The factory trigger retaining pin and c-clip will be re-used to install the MCARBO Flat Trigger.

(2B.) Place 1 Shim on either side of the MCARBO Trigger pin hole. Use grease to assist holding the shims in place.

(2C.) Slide the **Safety Blade Spring (Lighter Spring)** around the safety blade arm and compress the other end of the spring around the Safety Blade Set Screw.

(2D.) Slide the **Trigger Return Spring (Heavier Spring)** around the Overtravel Set Screw.

- While holding the trigger assembly together, slide it into the trigger housing.



Page 3

Step 3: Secure The Trigger Assembly Into Trigger Housing

(3A.) Align the holes of the shims, trigger, trigger safety blade and trigger housing.

(3B.) Insert the factory trigger retaining pin into the trigger housing, securing the trigger assembly in place with the factory c-clip.



Page 4

Step 4: Visual Sear Engagement Check

The included adjustment fixture will provide you with lightest trigger pull weight while maintaining the safety blade functionality. Ref. Pg. 2 Fig. 2 For Set Screw Settings

- If the sear is in the "GO" location, in positive contact with the adjustment screw and trigger face, you can proceed to Step 5.



- If the sear is in the "NO-GO" location, turn the Sear Set Screw counter clockwise to reduce the amount of threads show from the top of the trigger. For proper function there should be no more than 1 thread visible from the top of the trigger.



Page 5

Step 5: Safety Button Function Check

Ensure the rifle is NOT loaded. Test the safety buttons function by engaging the safety and pulling the trigger. The rifle should not fire with the safety engaged.

(5A.) With the bolt cocked and locked in the forward position, switch your safety to the **Safe** position.

(5B.) If your Safety Button is stuck or won't move easily, you must adjust the safety button set screw by turning the set screw counter-clockwise until the safety button is free to move back and forth.

(5C.) If the rifle fires with the safety on, tighten the Safety Button Set Screw slightly until the safety button engages.

Limit use of trigger for 24 hours, until Loctite fully cures.



Page 6